

Алматы (7273)495-231
Ангарск (3955)60-70-56
Архангельск (8182)63-90-72
Астрахань (8512)99-46-04
Барнаул (3852)73-04-60
Белгород (4722)40-23-64
Благовещенск (4162)22-76-07
Брянск (4832)59-03-52
Владивосток (423)249-28-31
Владикавказ (8672)28-90-48
Владимир (4922) 49-43-18
Волгоград (844)278-03-48
Вологда (8172)26-41-59
Воронеж (473)204-51-73
Екатеринбург (343)384-55-89

Ижевск (3412)26-03-58
Иваново (4932)77-34-06
Иркутск (395)279-98-46
Казань (843)206-01-48
Калининград (4012)72-03-81
Калуга (4842)92-23-67
Кемерово (3842)65-04-62
Киров (8332)68-02-04
Коломна (4966)23-41-49
Кострома (4942)77-07-48
Краснодар (861)203-40-90
Красноярск (391)204-63-61
Курск (4712)77-13-04
Курган (3522)50-90-47
Липецк (4742)52-20-81

Магнитогорск (3519)55-03-13
Москва (495)268-04-70
Мурманск (8152)59-64-93
Набережные Челны (8552)20-53-41
Нижний Новгород (831)429-08-12
Новокузнецк (3843)20-46-81
Ноябрьск (3496)41-32-12
Новосибирск (383)227-86-73
Омск (3812)21-46-40
Орел (4862)44-53-42
Оренбург (3532)37-68-04
Пенза (8412)22-31-16
Петрозаводск (8142)55-98-37
Псков (8112)59-10-37
Пермь (342)205-81-47

Ростов-на-Дону (863)308-18-15
Рязань (4912)46-61-64
Самара (846)206-03-16
Саранск (8342)22-96-24
Санкт-Петербург (812)309-46-40
Саратов (845)249-38-78
Севастополь (8692)22-31-93
Симферополь (3652)67-13-56
Смоленск (4812)29-41-54
Сочи (862)225-72-31
Ставрополь (8652)20-65-13
Сыктывкар (8212)25-95-17
Сургут (3462)77-98-35
Тамбов (4752)50-40-97
Тверь (4822)63-31-35

Тольяти (8482)63-91-07
Томск (3822)98-41-53
Тула (4872)33-79-87
Тюмень (3452)66-21-18
Улан-Удэ (3012)59-97-51
Ульяновск (8422)24-23-59
Уфа (347)229-48-12
Хабаровск (4212)92-98-04
Чебоксары (8352)28-53-07
Челябинск (351)202-03-61
Череповец (8202)49-02-64
Чита (3022)38-34-83
Якутск (4112)23-90-97
Ярославль (4852)69-52-93

Киргизия (996)312-96-26-47

Россия (495)268-04-70

Казахстан (772)734-952-31

<https://goldeneagle.nt-rt.ru> || geo@nt-rt.ru

Запасные части

CUTTING MACHINE SPARE PARTS FOR EASTMAN TYPE SERIES

4C1-99	SHARPENER HOLD-DOWN, NUT
4C1-150	SHARPENER HOLD-DOWN, NUT
4C1-179	FRONT-TO-REAR BRARING, NUT
4C2-2	PLATE BOLT, NUT
20C3-38	FRONT TO REAR BEARING, SCREW
20C3-39	FRONT TO REAR BEARING, SCREW
20C13-96	STANDARD-TO-BEARONG, SCREW
24C4	PLATE, BOLT
4C1-145	SHAFT, LOCKNUT
4C2-87	CLUTCH ,NUT
8C5-10	AUTOMATIC STITCH INSULATION
8C12-4	LEAD WIRE INSULATION
10C1-41	FAN ROTOR
12C1-12	LOADING SPRING, WASHER
12C1-32	LOCK, WASHER
13C1-9	TUNING KNOB
18C6-16	RETAINING RING
22C1-24	CARRYING HANDLE
30C1-8	DUST CAP
34C1-51	CLUTCH, SPRING
47C4-79	TERMINAL
47C4-80	TERMINAL
53C7-35	FAN COVER
73C7-121	TERMINAL WIRE TUBING
90C1-146	REAR BEARING HOUSING
90C6-46	REAR BALL BEARING
254C1	CABLE TIE 4"
300C12-6	SCREW, ROUND HEAD
301C8-1	SCREW, #4-40 X 1/2 FILLISTER HEAD
301C12-3	SCREW, #8-32 X 3/8 FILLISTER HEAD

305C8-1	SCREW,BINDING HEAD
305C10-1	SCREW,BINDING HEAD
597C2-14	CUTOUT ASSY 60 CYCLE 3600RPM
597C2-15	CUTOUT ASSY 50 CYCLE 3000RPM
580C1-192	CUTOUT SWITCH SINGLE SPEED
783C1-3	GROUNDING WIRE ASS'Y
4C1-111	OPEARING HANDLE LOCK NUT
4C1-132	CRANK BELL BEARING LOCK NUT
4C1-190	LOCK NUT FOR SHAFT
4C2-91	NUT FOR GUIDE SCREW
4C2-110	STOP NUT
4C3-8	GUIDE ADJUSTMENT NUT
11C12-92	SHAFT FOR BALL BEARING
12C1-21	SHAKEPROOF WASHER
12C1-24	KNIFE LOCK WASHER
12C10-2	WASHER
12C15-14	GUIDE WASHER
12C15-53	CONNECTING ROD WASHER
15C13-23	STUD,UPPER
15C13-34	STUD, LOWER L.H. MOUNTING
15C13-39	STUD, LOWER R.H. MOUNTING
17C4-6	WRIST PIN
18C6-79	LOCK RING
18C6-80	O-RING
20C5-17	CONNECTING ROD CLAMP SCREW

CUTTING MACHINE SPARE PARTS FOR EASTMAN TYPE SERIES

20C12-62	FRONT HOUSING PLUG SCREW
20C12-79	SCREW FOR HANDLE BRACKET
24C1-3	KNIFE LOCK BOLT
34C10-142	SPRING FOR CAPACITOR
52C5-235	SWITCH PLATE (SINGLE-SPEED)
53C6-2	OILER TUBE COVER
53C11-91	CAPACITOR COVER
54C4-32	WRIST PIN PLUG
62C1-140	HANDLE BRACKET
71C3-18	FRONT BALL BEARING RETAINER
73C7-203	OIL TUBE , CLEAR
73C7-204	OILER TUBE
85C1-45	CRANK 5 - 1-1/2" STROKE
90C6-38	FRONT BALL BEARING
91C4-25	RIVET CROSSHEAD
191C1-21	CROSS HEAD FELT PAD
191C1-38	WRIST PIN FELT PAD
191C1-42	OIL FELT WICKING, LONG
191C1-43	OIL FELT WICKING, SHORT
191C1-45	OIL FELT WICKING .187DIA X .44

201C1-11	EYELET
300C3-2	SCREW
302C8-2	SCREW, FLAT HEAD #4-40 X 3/4
302C10-4	SCREW, #6-32 X 5/16 FLAT HEAD
307C18-1	SCREW
308C12-1	SCREW, #8-32 X 3/8 SOCKET HEAD
308C14-1	GUIDE HOLD DOWN SCREW
309C15-5	GUIDE ADJUSTMENT SCREW
525C1-5	L.H. & R.H. GUIDES 1-1/2 STROKE
531C1-53	OPERATING HANDLE
<hr/>	
579C2-17	CROSS HEAD (W/ WRIST,PIN,WASHER,BOLT)
580C1-198	SWITCH-SINGLE-SPEED-1&3-PHASE
607C1-35	OILING DEVICE
664C1-4	CONNECTING ROD 1 1/2 STROKE
706C1-4	CAPACITOR 629 110V
706C1-5	CAPACITOR 629 220V
4C1-149	NUT, ELASTIC
4C1-161	NUT, SELF LOCK
4C2-112	L.H. NUT FOR SCREW SHAFT
4C2-113	R.H. NUT FOR SCREW SHAFT
<hr/>	
5C5-16	COLLAR, LOWER
11C12-54	SHAFT FOR CAM
12C15-57	SPRING WASHER FOR RELEASE LEVER
12C15-69	WASHER FOR LOCK BRACKET
12C15-74	WASHER, FLAT
12C15-91	THRUST WASHER, UPPER NUT
17C15-106	ROLL PIN FOR COLLAR
20C4-17	PRESSURE FOOT LEVER SCREW
20C12-13	CAM SHAFT SPRING SCREW
20C12-113	SCREW FOR LATCH

CUTTING MACHINE SPARE PARTS FOR EASTMAN TYPE SERIES

34C8-12	SPRING FOR PRESSURE FOOT LOCK
34C10-179	SPRING FOR PRESSURE FOOT LEVER
34C10-107	SPRING FOR LATCH
53C11-72	COVER FOR CAM
53C11-103	VINYL COVER FOR HANDLE
55C4-49	SPACER FOR KNIFE GUARD LOCK BRACKET
68C1-192	PRESSURE FOOT SHOE, ALL STROKES
71C3-15	THRUST BALL BEARING
86C7-34	CAP FOR TUBE
90C4-47	BEARING FOR CAM SHAFT
<hr/>	
97C3-35	LATCH FOR CAM
147C1-26	EXTENSION FOR SCREW SHAFT
171C1-16	LOCK (ONLY) FOR PRESSURE FOOT
300C10-1	SCREW, #6-32 X 3/16 ROUND HEAD
300C10-4	SCREW, #6-32 X 3/8 ROUND HEAD
302C10-8	SCREW, #6-32 X 3/4 FLAT HEAD
309C15-7	SET SCREW FOR CAM
553C1-7	PRESSURE FOOT LOCK BRACKET COMPLETE
553C1-8	PRESSURE FOOT LOCK BRACKET ONLY
605C1-36	PRESSURE FOOT ROD 7"-8" KNIFE
605C1-37	PRESSURE FOOT ROD 9"-10" KNIFE
621C1-7	RELEASE LEVER WITH CAM
683C1-17	PRESSURE FOOT LEVER
713C4-4	SCREW SHAFT W/EXTENSION R&H HEAD
713C4-5	NUTS 5-8"(713C-4) / NUTS 9-10"(713C-5)
732C1-11	SHARPENER HOUSING W/BUSHING,TUBES ONLY
732C1-12	5"- 8" KNIFE(732C1-11) / 9"- 10" KNIFE(732C1-12)
65C1-77	ROD FOR PRESS FOOT 5"-8"
65C1-75	ROD FOR PRESS FOOT 9"&10"
11C12-95	SCREW SHAFT ONLY 5" - 8"

20C12-117	SCREW FOR PRESSURE FOOT SHOE
20C12-156	SCREW FOR RELEASE LEVER
20C12-137	SCREW FOR KNIFE GUARD LOCK
22C3-2	LIFT HANDLE FOR KNIFE GUARD LOCK
34C1-20	TENSION SPRING
11C12-96	SCREW SHAFT ONLY 9" -10"
4C2-85	R.H. FOLLOWER NUT
4C2-86	L.H. FOLLOWER NUT
11C12-58	R.H. SQUARE SHAFT 5"-8" KNIFE
11C12-59	R.H. SQUARE SHAFT 9"-10" KNIFE
11C12-56	L.H. SQUARE SHAFT 5"-8" KNIFE
11C12-57	L.H. SQUARE SHAFT 9"-10" KNIFE
11C12-64	SHAFT FOR CRANK
12C11-74	THRUST WASHER
12C15-29	THRUST WASHER
12C15-30	THRUST WASHER FOR BOTTOM PLATE
17C15-78	PIN FOR BELL CRANK
17C15-103	ROLL PIN FOR PUSH ROD
17C15-113	SPREADER PIN
18C6-81	RETAINING RING FOR SHAFT
18C6-26	RETAINING RING FOR BELL CRANK
34C10-89	SPRING FOR BELL CRANK
55C4-41	SPACER BELL CRANK
62C16-151	SHARPENER HOUSING (ONLY)
65C6-75	PUSH ROD
71C1-10	OIL RETAINER-IDLER GEAR
73C7-46	TUBE FOR SQUARE SHAFT 5"-8' KNIFE
73C7-47	TUBE FOR SQUARE SHAFT 9"-10" KNIFE
73C7-48	TUBE FOR SCREW SHAFT 5"-8" KNIFE

CUTTING MACHINE SPARE PARTS FOR EASTMAN TYPE SERIES

73C7-49	TUBE FOR SCREW SHAFT 9"-10" KNIFE
79C12-163	BOTTOM PLATE, SHARPENER HOUSING
85C3-6	CRANK BELL (ONLY)
87C3-8	SPIRAL GEAR
87C3-44	SPUR GEAR
87C3-53	GEAR AND SHAFT
90C4-29	BEARING FOR DRIVE SHAFT (LOWER)
90C4-33	BEARING FOR GEAR
90C4-34	BEARING FOR BELL CRANK
90C4-42	BEARING FOR DRIVE SHAFT
90C4-48	BEARING FOR DRIVE SHAFT (UPPER)
90C4-58	BEARING FOR SCREW SHAFT
90C6-24	BALL BEARING FOR CRANK
142C1-7	KEY FOR GEAR.
300C7-1	SCREW, #4-36 X 1/8 ROUND HEAD
302C10-6	SCREW, #6-32 X 1/2 FLAT HEAD
302C12-3	SCREW, #8-32 X 3/8 FLAT HEAD
584C2-3	BELLCRANK WITH PIN & BEARING(ONLY)
584C3-16	BELLCRANK COMPLETE WITH LEVER
602C1-9	DRIVER PULLEY WITH DRIVER
627C1-10	IDLER GEAR & BUSHING
716C1-12	DRIVER SHAFT WITH GEAR
727C1-6	OIL PAD & HOLDER
17C15-82	RIVET
300C7-2	SCREW, #4-36 X 3/16 ROUND HEAD
1C13-13	NUT
53C11-109	VINYL COVER FOR CRANK
4C1-189	JAM NUT,#8-32
4C2-63	NUT FOR SHARPENER SHOE SCREW
12C15-93	WASHER, SHOE

20C6-25	ADJUSTING SCREW
20C12-143	SCREW FOR CLAMPING ARM
20C12-153	SCREW FOR SHARPENER SHOE
21C14-14	BUSHING FOR SHARPENER SHOE
34C10-45	SPRING FOR PULLEY SLIDE
34C10-123	SPRING FOR ARM
34C10-148	L.H. SHARPENER SHOE SPRING
34C10-149	R.H. SHARPENER SHOE SPRING
35C7-28	CLAMPING ARM FOR SHOE
53C4-78	GEAR COVER
54C4-35	OIL HOLE PLUG
62C6-31	BRACKET, LOWER GEAR
70C4-32	GUIDE BACK OF STANDARD
79C12-219	WEAR PLATE
87C3-50	GEAR ON SCREW SHAFT
87C5-13	INTERMEDIATE GEAR
90C4-51	BEARING FOR SCREW SHAFT
90C4-59	BEARING FOR SHAFT EXTENSION
147C1-28	R.H. SHAFT EXTENSION
147C1-29	L.H. SHAFT EXTENSION
152C1-19	FRONT PULLEY FOR BELT
209C1	NEOPRENE BAND FOR PULLY
300C7-3	SCREW, #4-36 X 1/4 ROUND HEAD
300C10-2	SCREW, #6-32 X 1/4 ROUND HEAD

CUTTING MACHINE SPARE PARTS FOR EASTMAN TYPE SERIES

300C10-6	SCREW, #6-32 X 1/2 ROUND HEAD
301C7-2	SCREW, #4-36 X 3/16 FILLISTER HEAD
301C10-3	SCREW, #6-32 X 3/8 FILLISTER HEAD
309C12-2	STOP SCREW, L.H. SHOE
712C1	R.H. SLIDE WITH PULLEY
712C1-1	L.H. SLIDE WITH PULLEY
715C1-19	LOWER GEAR BRACKET WITH COVER, SCREW, PLATE 5 - 13"
715C1-23	LOWER GEAR BRACKET (COMPLETE)
728C1-5	STABILIZER ASSEMBLY
743C1-28	R.H. PRE-SET SHARPENER SHOE (ONLY)
743C1-29	L.H. PRE-SET SHARPENER SHOE (ONLY)
820C1-7	L.H. COMPLETE SHOE ASSEMBLY,
820C1-8	R.H. COMPLETE SHOE ASSEMBLY,
12C1-35	LOCK WASHER, #8 .
17C1-4	TAPER PIN #0 X 3/4
17C6-9	HINGE PIN
20C5-12	CLAMP SCREW FOR ROLLERS
20C12-19	KNIFE SLIDE SCREW
20C13-51	HINGE PIN CLAMP SCREW
34C1-57	PLATE WING TENSION SPRING
60C1-55	PLATE WING (FOR SMALL PLATES)
60C1-56	PLATE WING (FOR LARGE PLATES)
79C4-12	THROAT PLATE WITH SCREW AND PIN
213C1-1	FIBRE SHIM
505C3-223	SMALL PLATE BASE COMPLETE 5"-8" KNIFE
505C3-224	LARGE PLATE BASE COMPLETE 9"-13" KNIFE
528C1-116	STANDARD (COMPLETE W/SLIDER, THROAT PLATE)
528C1-121	10" KNIFE(528C1-116) / 8" KNIFE(528C1-121)
532C2-5	RUBBER MOUNTED ROLLER (COMPLETE)
619C1-31	ROLLER SHELL (COMPLETE)
643C1-43	KNIFE SLIDE (COMPLETE WITH SCREWS) 8"
643C1-47	KNIFE SLIDE (COMPLETE WITH SCREWS) 10"
529C1-8	KNIFE BOLT WRENCH
95C5-3	ALLEN WRENCH FOR SHOE SET SCREW
242C2-2	BEARING GREASE
162C2	OIL CAN
81C1-2	SLOT CLEANSE
181C2-2 SP	ABRASINE BELTS
508C1-100	TREMINAL BLOCK
523C1-100	ATTACHMENT PLUG

CUTTING MACHINE SPARE PARTS FOR EASTMAN TYPE SERIES

Single-Phase Motor Assemblies

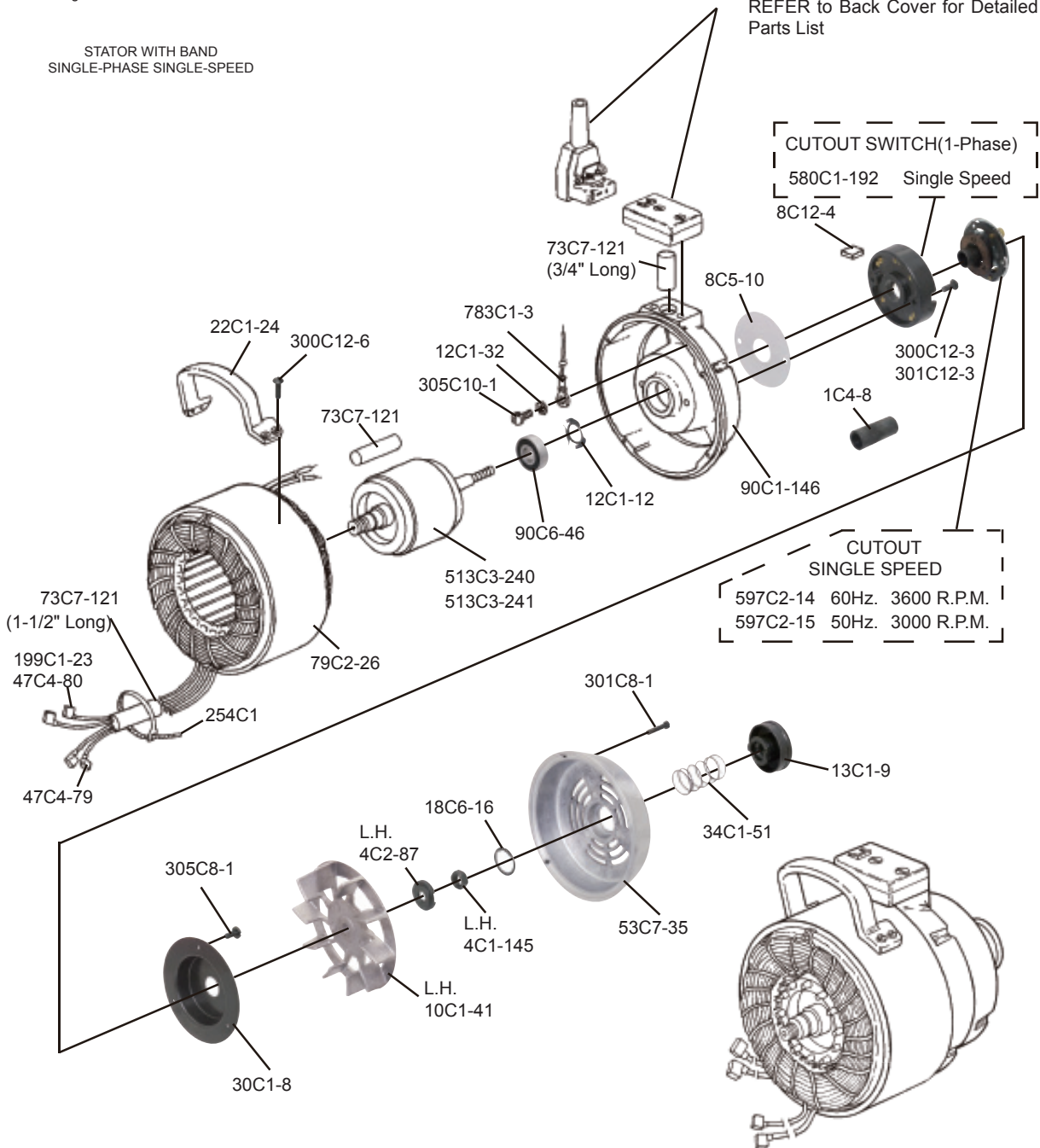
10A 380V 3~	10A 220V 3~	10A 220V ~	15A 120V ~
523C1-99 508C1-99	523C1-100 508C1-100	523C1-101 508C1-101	523C1-102 508C1-102

Description Attachment
Plug Terminal Block

Note:L.H. indicates left-hand thread. All others are right-hand.

Attachment Plug Terminal Block
REFER to Back Cover for Detailed
Parts List

STATOR WITH BAND
SINGLE-PHASE SINGLE-SPEED

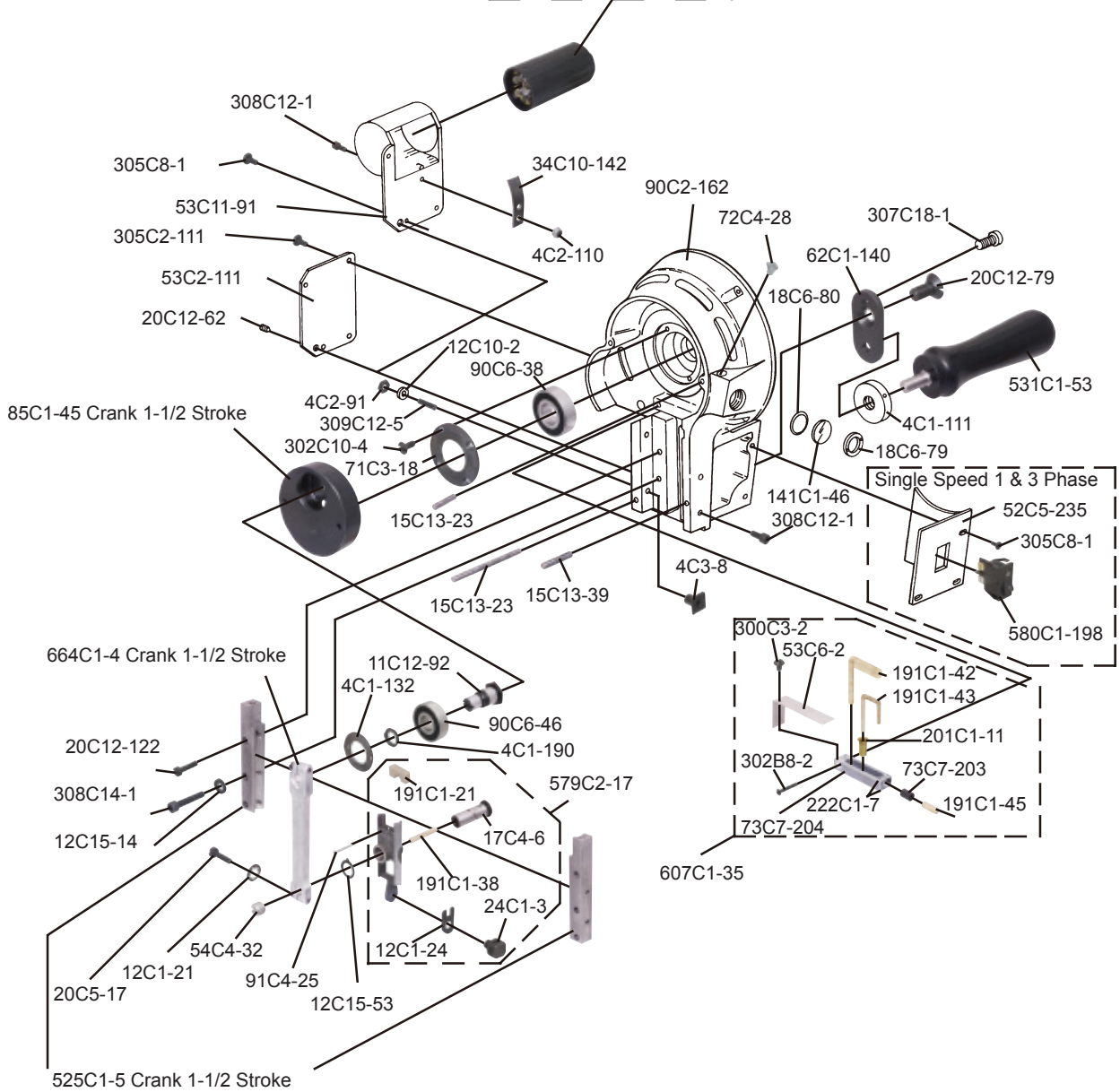


CUTTING MACHINE SPARE PARTS FOR EASTMAN TYPE SERIES

Front Bearing Housing with Oiler Assembly

Note: Certain 220 volt machines will use these capacitors. Please check the capacitor number on label of your machine to order.

706C1-4	110 Volt
706C1-5	220 Volt
706C1-13	110 Volt
706C1-18	220 Volt



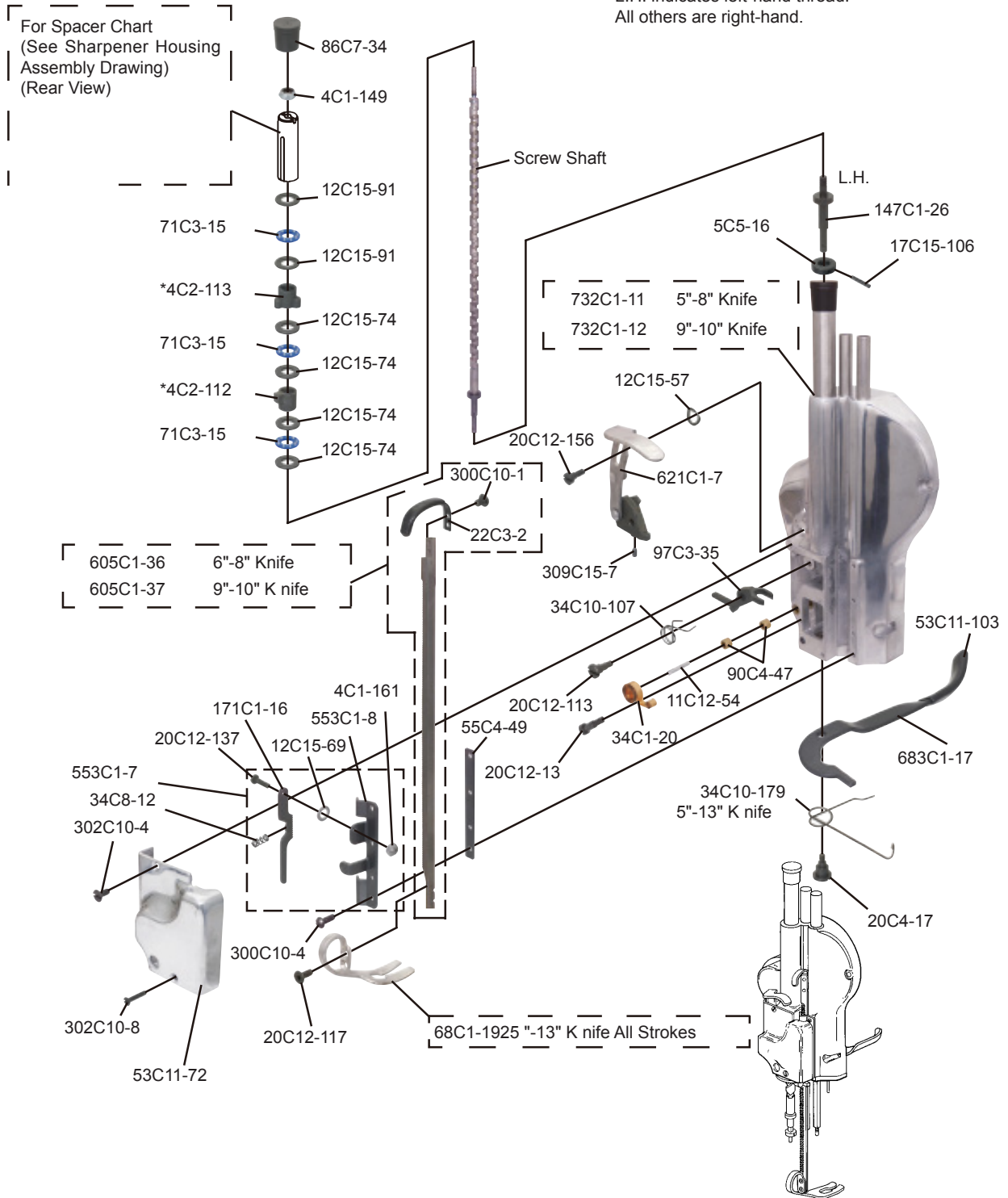
Notes: L.H. indicates left-hand thread. All others are right-hand.

Slip large lug over switch before replacing switch base. Secure switch to base tightly to ensure positive ground.

CUTTING MACHINE SPARE PARTS FOR EASTMAN TYPE SERIES

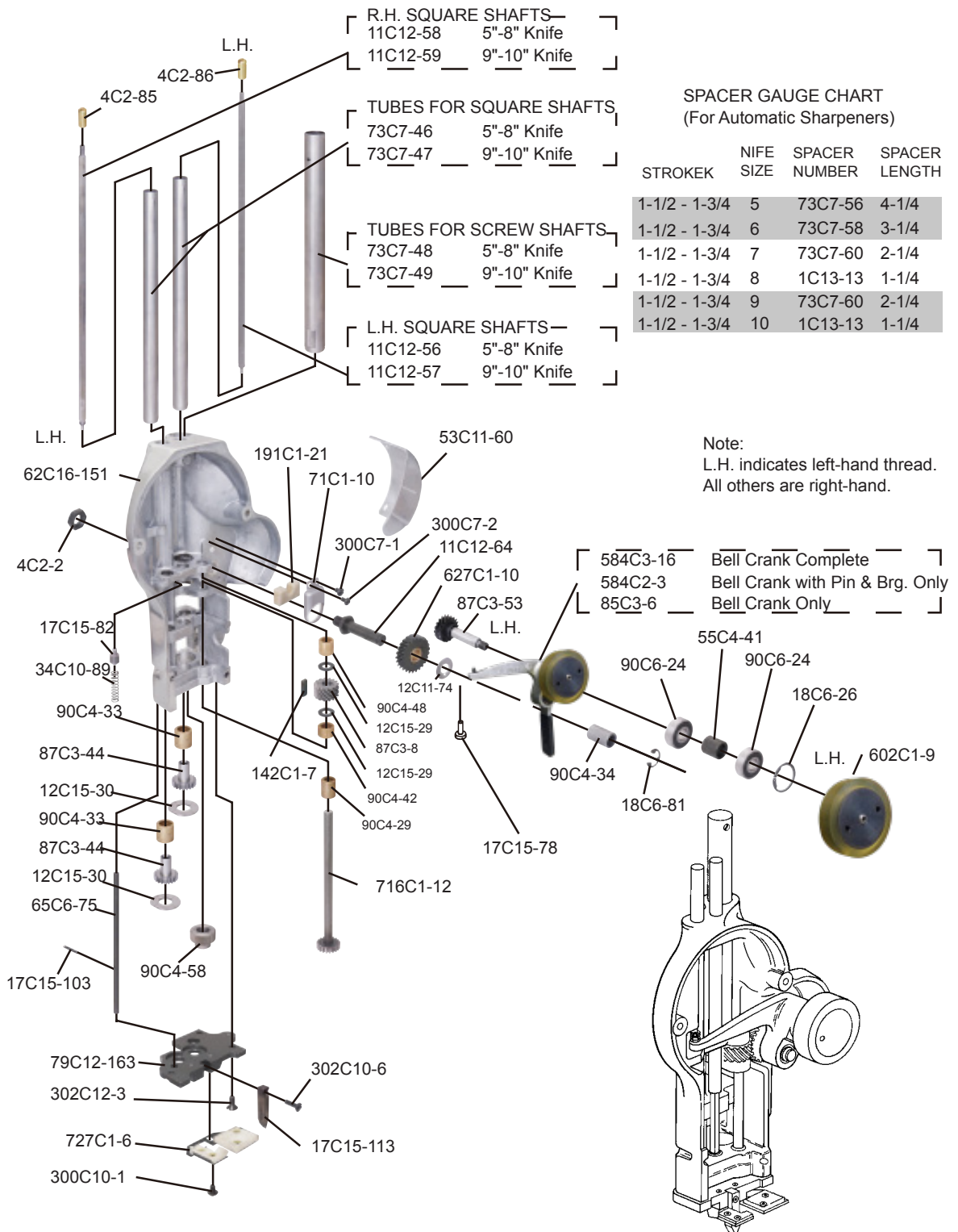
Sharpener Housing Assembly

Note:
L.H. indicates left-hand thread.
All others are right-hand.



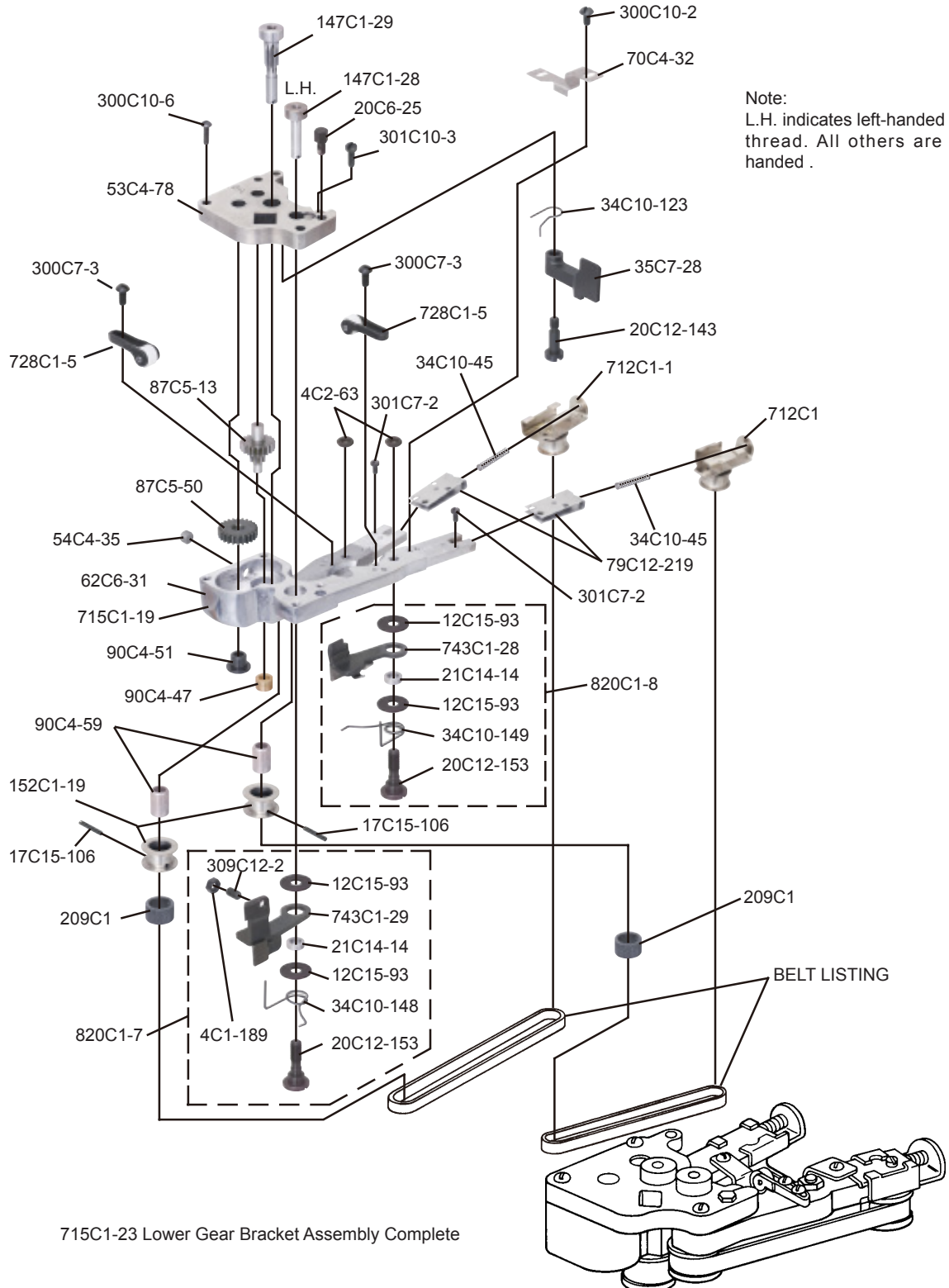
CUTTING MACHINE SPARE PARTS FOR EASTMAN TYPE SERIES

Sharpener Housing Assembly



CUTTING MACHINE SPARE PARTS FOR EASTMAN TYPE SERIES

Lower Gear Bracket Assembly



Note:
L.H. indicates left-handed thread. All others are right-handed.

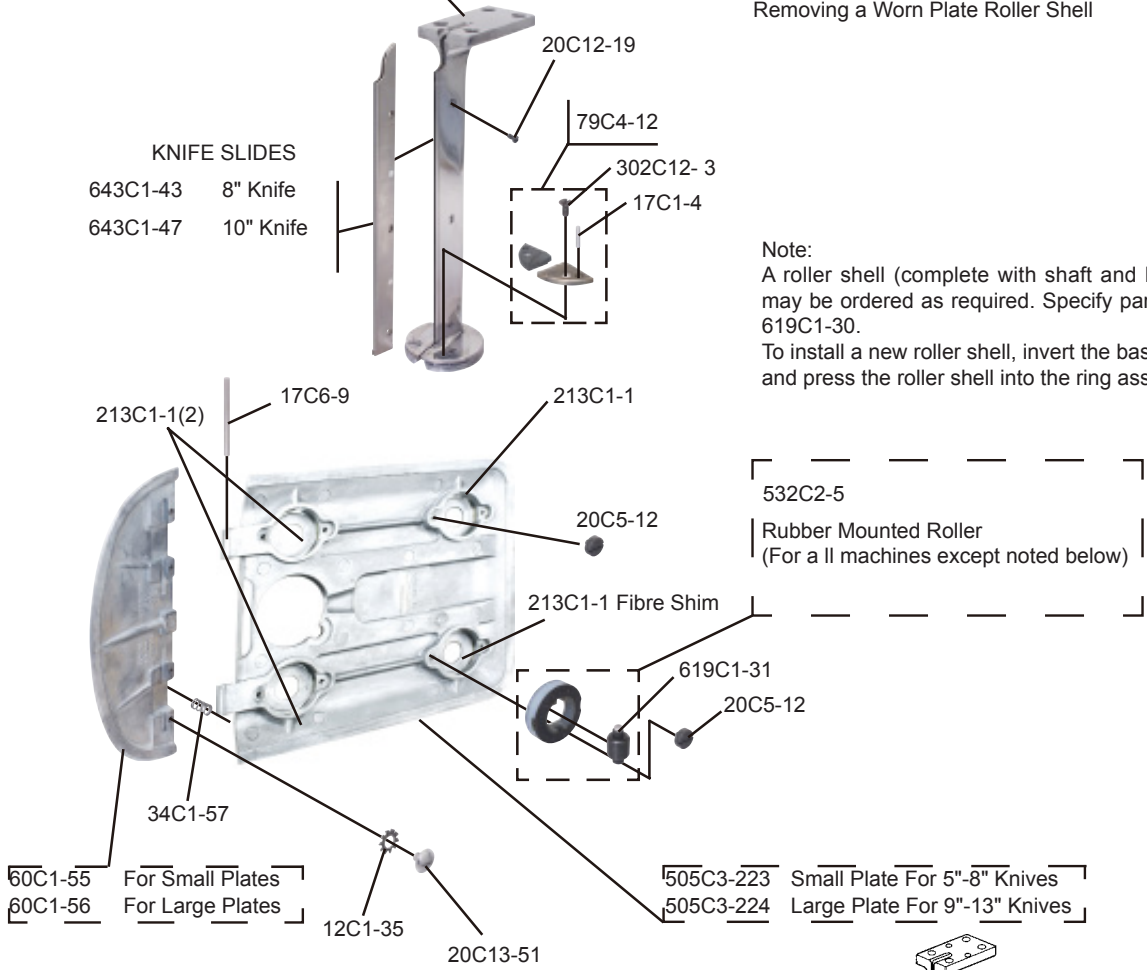
715C1-23 Lower Gear Bracket Assembly Complete

CUTTING MACHINE SPARE PARTS FOR EASTMAN TYPE SERIES

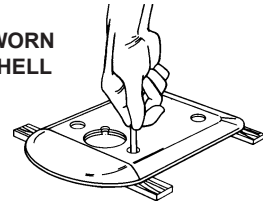
Standard and Baseplate Assembly

STANDARDS
COMPLETE W/SLIDES
528C1-121 8" Standard
528C1-116 10" Standard

KNIFE SLIDES
643C1-43 8" Knife
643C1-47 10" Knife

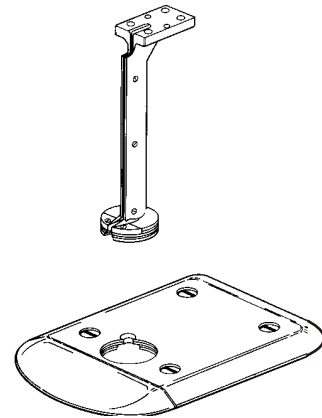


INSTRUCTIONS FOR REMOVING WORN PLATE ROLLER SHELL



Removing a Worn Plate Roller Shell

Note:
A roller shell (complete with shaft and bearings) may be ordered as required. Specify part number 619C1-30.
To install a new roller shell, invert the baseplate and press the roller shell into the ring assembly.



CUTTING MACHINE SPARE PARTS FOR KM TYPE SERIES

M-1	Capacitor-Stator
M-2	Carrying Handle Screws
M-3	Rotor Fan
M-4	Rotor With Shaft
M-6	Dust Cap Screw
M-7	Rear Bearing Housing
M-8	Dust Cap
M-9	Turning Knob
M-13	Front to Rear Bearing Nut
M-14	Front to Rear Bearing Screw
M-20	Switch
M-21	Clutch Spring
M-22	Retaining Ring
M-23	Rear Ball Bearing
M-24	Spring Washer
M-25	Clutch Nut
M-26	Shaft Lock Nut
M-27	Crank
M-28	Crank Ball Bearing
M-29	Crank Ball Bearing Lock Nut
M-30	Screw for Brg Shaft
M-31	Shaft for Ball Bearing
M-32	Oil Pad Holder
M-33	Oil Felt
M-34	Oil Tank
M-34C	Set Oil Tank
M-35	Oil Tank Cap
M-36	Connec ting Rod
M-37	Shakeproof Washer
M-38	Connec Ting Rod Clamp Screw
M-39	Wrist Pin
M-40	Wrist Pin Plug
M-41	Knife Lock Washer
M-42	Nuts for Guide Screw
M-43	Guide Washer
M-44	Connecting Rod Washer
M-45	Guide Adjusting Screw
M-46	Guide Adjusting Nut
M-47	Guide Lock Screw
M-48	R.H.Guide
M-49	L.H.Guide
M-48/49	Guide
M-50	Cross Head
M-51	Knife Lock Bolt
M-52	Terminal Block Screw
M-53	Ground Clip Screw
M-54	Set Screw
M-55	Front Bearing Housing
M-56	Sharpener Hold Down Screw
M-57	Retainer Screw
M-58	Oil Pad Holder Screw
M-59-S	Guide Hold Down Screw(S)
M-59-L	Guide Hold Down Screw(L)
M-60	Lower Sharpener

CUTTING MACHINE SPARE PARTS FOR KM TYPE SERIES

M-60-R	Hold down Nut R
M-61L	Stud Lower L.H.Mountaing(L)
M-61R	Stud Lower L.H.Mountaing(R)
M-63	Standard-to-Bearing Screw
M-64	Front Ball Bearing
M-65	Front Ball Bearing Retainer
M-66	Ground Clip
M-67	Attachment Plug Complete(3P)
M-68	Terminal Block Complete(3P)
M-69	Attachment Plug (Complete)
M-70	Terminal Block (Complete)
M-71	Terminal Sleeve
M-72	Terminal Contact with Pin
M-73	Operating Handle
M-74	Lock Nut
M-75	Switch Cover Screw
M-76	Switch Cover
M-77S	GKM-AU-J-077S
M-77L	GKM-AU-J-077L
M-78	Plate Complete
M-80	Rubber Mounted Roler
M-80C	Roller
M-80R	Rubber
M-81	Hinge Pin Short
M-82	Hinge Pin Clamp Screw
M-83	Plate Wing Tension Spring
M-84	Knife Slide Screw
M-85	Standard(8")
M-85	Standard(10")
M-85	Standard(13")
M-85	Standard(6")
M-85	Standard(7")
M-86	Knife Slide(8")
M-086	Knife Slide(10")
M-87	Screw for Throat Plate
M-88	Throat Plate
M-89	Lock Washer
M-90-S	Plate Screw
M-90-N	Plate Nut
M-92	Cap for Tube
M-93	Driving Shaft(6"~8")
M-93	Driving Shaft(9"~10")
M-93	Driving Shaft(13")
M-94	Hand Follower(6"~8")
M-94	Hand Follower(9"~10")
M-94	Hand Follower(13")
M-96	Screw for Latch
M-97	Shaft for Cam
M-98	Cam Shaft Spring Screw
M-99	Pres Foot Lock Bracket Screw
M-100-S	Screw for Cover(S)
M-100-L	Screw for Cover(L)
M-101	Cover Over Cam
M-102	Collar for Screw Shaft

CUTTING MACHINE SPARE PARTS FOR KM TYPE SERIES

M-104-R	Nut for Screw ShaftR.H
M-104-L	Nut for Screw Shaft L.H
M-105	Washer for Screw Shaft L.H
M-106	Screw shaft (6"~8")
M-106	Screw shaft (9",10")
M-106	Screw shaft(13")
M-107	Spacer tube(6")
M-107	Spacer tube(7",13")
M-107	Spacer tube(8",9",10")
M-108	Stop Nut for Screw Shaft
M-109	Spring for Pressure Foot Lock
M-110	Spring for Lateh
M-111	Cam Spring
M-112	Pressure Foot Rod(6")
M-112	Pressure Foot Rod(7")
M-112	Pressure Foot Rod(8")
M-112	Pressure Foot Rod(10")
M-112	Pressure Foot Rod(13")
M-113	Screw for Pressure Foot Shoe
M-114	Pressure Foot Lever
M-115	Pressure Foot Lever Screw
M-116	Spring for Pressure Foot Lever
M-117	Set Screw for Cam
M-118-C	Cam
M-118-L	Release Lever
M-118-S	Screw for cam
M-119-S	Lock Screw for Releast Lever
M-119-SW	Spring Washer
M-119-W	Washer
M-120	Lock(only) Pressure Foot
M-121-S	Screw for Pres Ft Lock
M-121-N	Nut for Pres Ft Lock
M-122	Pressure Foot Lock Bracket
M-123	Slide for Pressure Foot Rod
M-123-2	Washer Slide for presser foot
M-124	Latch for Cam
M-125	Pressure Foot Shoe
M-126	Spring for Bell Crank
M-127	Sharpener Housing(8")
M-127	Sharpener Housing(13")
M-128	Bottom Plate Screw
M-129	Bottom Plate
M-130	Oil Pad & Holder
M-131	Screw for Oil Pad
M-132	Bell Crank With Pim & Bushing
M-133	Screw for Cover
M-134	Cover for Driver
M-135	Right Hand Follower Nut
M-136	R.H.Square Shaft(6"~8")
M-136	R.H.Square Shaft(9",10")
M-136	R.H.Square Shaft(13")
M-136-S	R.H.Square Shaft Screw
M-137	Left Hand Follower Nut
M-138	L.H.Square Shaft(6"~8")

CUTTING MACHINE SPARE PARTS FOR KM TYPE SERIES

M-138	L.H.Square Shaft(9",10")
M-138	L.H.Square Shaft(13")
M-138-7	
M-138-W	L.H.Square Shaft Washer
M-139	Push Rod
M-140	Roll Pin for Push Rod
M-141	Driver Shaft With Gear
M-142	Screw for Spreader Pin
M-143	Spreader Pin
M-144	Gear & Shaft
M-145	Bearing for Gear
M-146	Driver Pulley(Set)
M-148	Spur Gear
M-149	Ball Bearing for Crank
M-150	Retaining Ring
M-151	Thrust Washers for Spiral Gear
M-152	Lock Nut for Crank Shaft
M-153	Shaft for Crank
M-154	Washer for Crank Shaft
M-155	Lock Ring for Ball Bearing
M-156	Idler Gear With Bushing
M-156-1	Bushing of Idler Gear
M-157	L.H.Spiral Gear With Key
M-158	Screw for Gear Cover
M-159	Screw for Gear Cover
M-160	Grease Plug
M-161	Screw for Stabilizer
M-162	Lower Gear Bracket
M-162-M	Lower gear bracke
M-163	Screw for Slide Pulley
M-164	Lower Gear Bracker Gear Cover
M-165-N	Adjusting Nut
M-165-S	Adjusting Screw
M-166	Gear on Screw Shaft
M-167	Intermediate Gear
M-168	Bushing for shoe
M-169	GKM-AU-J-169
M-170	GKM-AU-J-170
M-171	Set Screw for Sharpener Shoe
M-172	Stabilizer
M-173	Standard Guide(6"~7")
M-173	Standard Guide(8"~10")
M-175	Screw for Guide Back
M-176	R.H.Slide With Pulley
M-177	L.H.Slide With Pulley
M-178	Neoprene Band
M-179	Front Pulley for Belt
M-180	Roll Pin for Pulley
M-181	Spring for Pulley Slide
M-182	Screw for Clamping Rrm
M-183	Clamping Arm for Shoe
M-184	Nut for Sharpener Shoe Screw
M-185	Screw for Sharpener Shoe
M-186-R	R.H.Sharpener Shoe Spring

CUTTING MACHINE SPARE PARTS FOR KM TYPE SERIES

M-187-L	L.H.Sharpener Shoe Spring
M-188	Spring for Arm
M-189	Abrasive Belts
M-190	Electric Corde Complete
M-191	Knife
M-192	Knock pin for Throat Plate
M-194	Knife Bolt Wrench
M-195	Screw Driver
M-198	Bearing Grease
M-199	Oiler
M-203	Carrying Handle
M-204	Capacitor Cover
M-205	Screw for Capacitor Cover
M-206	Capacitor
M-206P	Felt
M-208	Oil Tank Pile
M-209	Vinyl Tube
M-229	Thrust Ball Bearing
M-230	Knob for Pressure Foot Rod
M-231	Screw for Knob
M-232	Oiling Felt for Ldller Gear
M-233	Set Screw for Oiling Felt
M-301	Automatic Cut-Out Switch
M-302	Automatic Cut-Out
M-303	Insulated Plate
M-304	Set Screw
M-305	Spring Washer

Алматы (7273)495-231
Ангарск (3955)60-70-56
Архангельск (8182)63-90-72
Астрахань (8512)99-46-04
Барнаул (3852)73-04-60
Белгород (4722)40-23-64
Благовещенск (4162)22-76-07
Брянск (4832)59-03-52
Владивосток (423)249-28-31
Владикавказ (8672)28-90-48
Владимир (4922) 49-43-18
Волгоград (844)278-03-48
Вологда (8172)26-41-59
Воронеж (473)204-51-73
Екатеринбург (343)384-55-89

Ижевск (3412)26-03-58
Иваново (4932)77-34-06
Иркутск (395)279-98-46
Казань (843)206-01-48
Калининград (4012)72-03-81
Калуга (4842)92-23-67
Кемерово (3842)65-04-62
Киров (8332)68-02-04
Коломна (4966)23-41-49
Кострома (4942)77-07-48
Краснодар (861)203-40-90
Красноярск (391)204-63-61
Курск (4712)77-13-04
Курган (3522)50-90-47
Липецк (4742)52-20-81

Киргизия (996)312-96-26-47

Магнитогорск (3519)55-03-13
Москва (495)268-04-70
Мурманск (8152)59-64-93
Набережные Челны (8552)20-53-41
Нижний Новгород (831)429-08-12
Новокузнецк (3843)20-46-81
Ноябрьск (3496)41-32-12
Новосибирск (383)227-86-73
Омск (3812)21-46-40
Орел (4862)44-53-42
Оренбург (3532)37-68-04
Пенза (8412)22-31-16
Петрозаводск (8142)55-98-37
Псков (8112)59-10-37
Пермь (342)205-81-47

Россия (495)268-04-70

Ростов-на-Дону (863)308-18-15
Рязань (4912)46-61-64
Самара (846)206-03-16
Саранск (8342)22-96-24
Санкт-Петербург (812)309-46-40
Саратов (845)249-38-78
Севастополь (8692)22-31-93
Симферополь (3652)67-13-56
Смоленск (4812)29-41-54
Сочи (862)225-72-31
Ставрополь (8652)20-65-13
Сыктывкар (8212)25-95-17
Сургут (3462)77-98-35
Тамбов (4752)50-40-97
Тверь (4822)63-31-35

Казахстан (772)734-952-31

Тольяти (8482)63-91-07
Томск (3822)98-41-53
Тула (4872)33-79-87
Тюмень (3452)66-21-18
Улан-Удэ (3012)59-97-51
Ульяновск (8422)24-23-59
Уфа (347)229-48-12
Хабаровск (4212)92-98-04
Чебоксары (8352)28-53-07
Челябинск (351)202-03-61
Череповец (8202)49-02-64
Чита (3022)38-34-83
Якутск (4112)23-90-97
Ярославль (4852)69-52-93

<https://goldeneagle.nt-rt.ru> || geo@nt-rt.ru